

## INSTALLATION & MAINTENANCE MANUAL LED FLEX IP68 SINGLE COLOUR



## GENERAL INSTRUCTIONS

These instructions should be read carefully and retained after installation by the end user for future reference and maintenance.

These instructions should be used to aid installation of the following products:  
LEDFIPWW / LEDFIPDL

## SAFETY

- Installation of this product should only be carried out by a qualified electrician or competent person to the current Building and IEE Wiring Regulations (BS7671)
- Please isolate mains prior to installation/maintenance
- Check the total load on the circuit (including when this product is fitted) does not exceed the rating of the circuit cable, fuse or circuit breaker
- Please note the IP (Ingress of Protection) rating of this product when deciding the location for installation
- This product is Class III
- This product is IP68 rated as supplied
- This product is dimmable when used with LEDFR1 or LEDFR7 dimming controllers

## INSTALLATION

- **Note** - A soldering iron is required for some connections
- **Note** - The use of an amplifier is recommended for installations above 10 metres, as voltage drop may occur
- Provide power to the point of installation. Suitable IP rated junction boxes should be used where required
- Decide on the desired layout of the LED Flex taking into consideration the following:
  - a) The cables are long enough to connect to the driver
  - b) The LED Flex is not going to be installed in a position where it is at risk of being cut, trapped or damaged
  - c) The total maximum length does not exceed the max power rating of the LED driver (see website for more details)
- When cutting the LED Flex, ensure it is only cut along the line indicated between the copper connections, approximately every 100mm along the strips' length (see Fig 1)

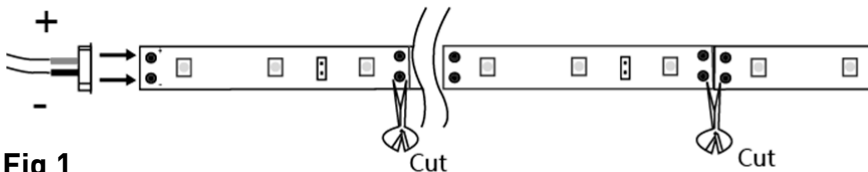
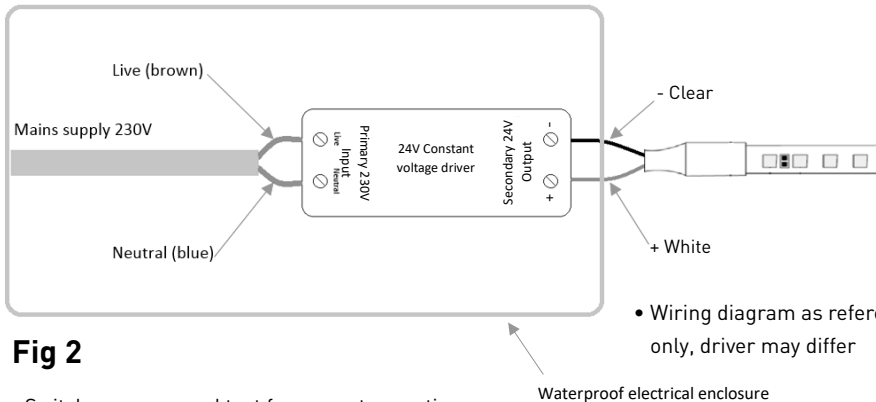


Fig 1

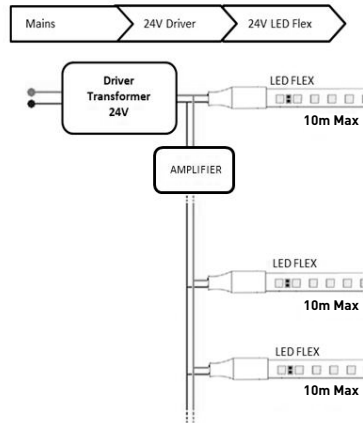
- The LED Flex is provided with self-adhesive backing - ensure the surface application is clean and dust free before installation
- The FLEXFIX saddles should be used to secure all IP rated flex
- Ensuring correct polarity is observed, connect the 230V mains supply to the primary side of the 24V constant voltage driver, Live (brown), Neutral (blue)
- Terminate the 24V LED strip to the secondary side of the driver ensuring correct polarity is observed (+ White) (- Clear) (see Fig 2)

**Note: When installed outside, ensure all components are suitable for the installation environment, ideally installed within a waterproof electrical enclosure**



### Light Connection

The maximum distance that can be run is 10m for 24V LED flex when connected in series (see Fig 3). To power additional LED flex (depending on LED driver capacity) it is recommended that a signal amplifier is used to avoid volt drop and increase signal strength. This should be connected in parallel up to the maximum power of the LED driver and dependent on the CCT controller being used.



## WARNING

This product must be disconnected from the circuit if subjected to any high voltage or insulation resistance testing. Irreparable damage will occur if this instruction is not followed. Extreme care must be taken when installing/connecting IP68 LED Flex in order to maintain IP rating, connection point may lower IP rating if installed incorrectly.

## GENERAL

The unit should be recycled in the correct manner when it reaches the end of its life. Check local authorities for where facilities exist.

Clean with a soft dry cloth only, do not use aggressive cleaning products or solvents which may damage the product.

## WARRANTY

This product has a warranty of 3 years from date of purchase. Failure to install this product in accordance with the current edition of the IEE Wiring Regulations, improper use, or removal of the batch codes will invalidate the warranty. If this product should fail within its warranty period it should be returned to the place of purchase for a free of charge replacement. ML Accessories does not accept responsibility for any installation costs associated with the replacement product. Your statutory rights are not affected. ML Accessories reserve the right to alter product specification without prior notice.

## CONNECTION ACCESSORIES

**Note** - A soldering iron is required for some connections

The LED Strip connectors can be used for reattaching the separate segments of cut-to-size strip lights.

**Compatible connectors:**

- CONIP2P - IP connector joining 2 LED strips or strip to controller together

**Supplied in the pack:**

1 x Male waterproof connector lead, 1 x Female waterproof connector lead, 4 x End caps, 10ml Sealant

## INSTALLATION FOR IP CONNECTOR

- Carefully remove approximately 12mm of the outer sheath on the opposite end to the connector to expose the sheathed conductor cables
- Carefully remove approximately 5mm of sheath exposing the bare conductor on each of the cables
- Make a 3mm cut in the end of the end cap
- Ensure correct polarity is observed (+ White) (- Clear)
- Thread the conductors through the cut in the end cap
- Solder the 2 bare conductors to the LED Flex ensuring correct polarity with the connector and allow to cool
- Slide the end cap down the cable and over the LED Flex sheath placing sealant inside the end cap to ensure a watertight seal is achieved
- Allow to set
- Check for correct operation



ML Accessories Limited

LU5 5TA

[www.mlaccessories.co.uk](http://www.mlaccessories.co.uk)

SBDEC17\_V1